

French Cleat Tool Storage



Built by Tyson Moore | Plans by Kyle Worley



Reference build videos as needed:

YouTube- Tyson Moore / Builds

[Making a #TeamRidgid Tool Storage Shelf](#)

[Shop Tip: French Cleat #TeamRidgid Tool Storage Shelf](#)

[#MagicMallet Tool Storage Assembly](#) (optional construction)

Materials needed

- 01 ea - 3/4" x 4' x 8' plywood (birch plywood was used)*
**you will not need or use the full sheet*
- Wood Glue

Hardware needed

- 18ga brad nails (1")
- Screws to attach back panel to studs in the wall
- Pocket hole screws (3/4"-1" screw length for 1/2" ply or 1"-1 1/4" screw length for 3/4" thick ply)

Tools Used

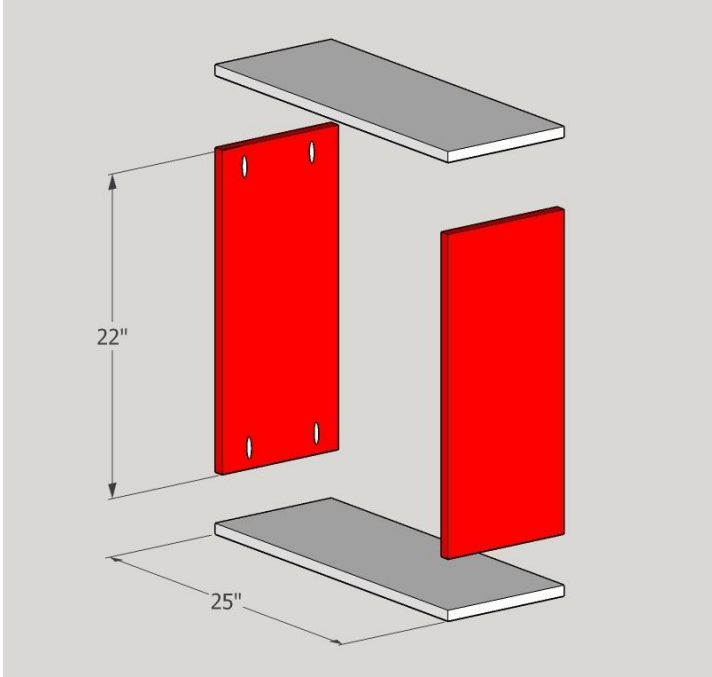
- Drill
- Pocket hole jig
- Clamps
- 18ga brad nailer
- Circular saw

Step 1) Rip 3/4" plywood per the cutlist below:

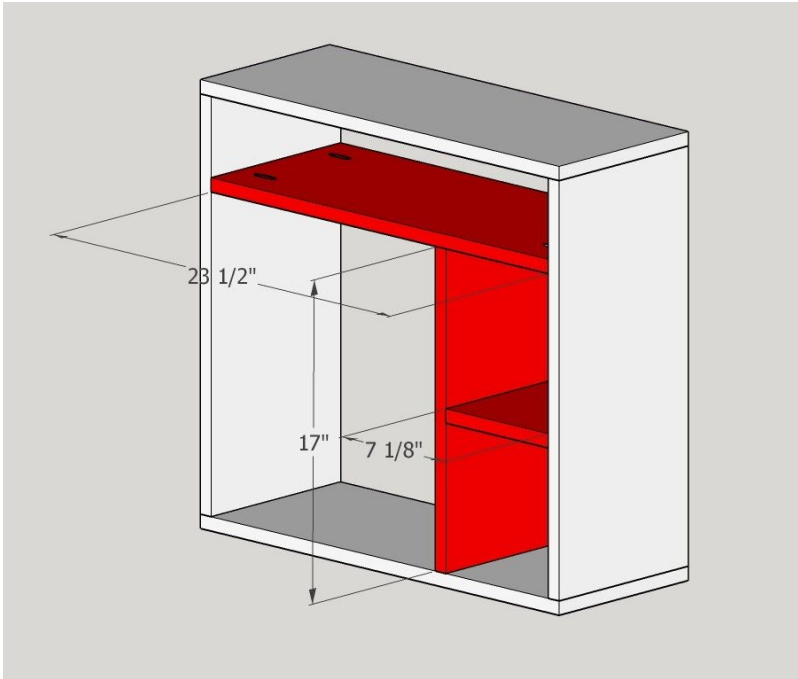
- 02ea = 9-1/2" x 22" - Cabinet Sides (A)
- 02ea = 9-1/2" x 25" - Cabinet Top/Bottom (B)
- 01ea = 9-1/2" x 23-1/2" - Horizontal Divider (C)
- 01ea = 9-1/2" x 17" - Vertical Divider (D)
- 01ea = 9-1/2" x 7-1/8" - Horizontal Shelf (E)
- 04ea = 9-1/2" x 3" - Drill Vert. (F)
- 04ea = 9-1/2" x 1-1/2" - Drill Horz. (G)
- 02ea = 9-1/2" x 3/8" - Drill Sides (H)
- 01ea = 25"(*) x 14-3/4" - Back (wall mount) (I)
- 01ea = 25"(*) x 9-1/2" - Back (Cabinet) (J)

** one long edge has a 45 deg edge to make the back/french cleat.*

Step 2) Assemble the outside frame (wait to attach the top piece until after step 4)

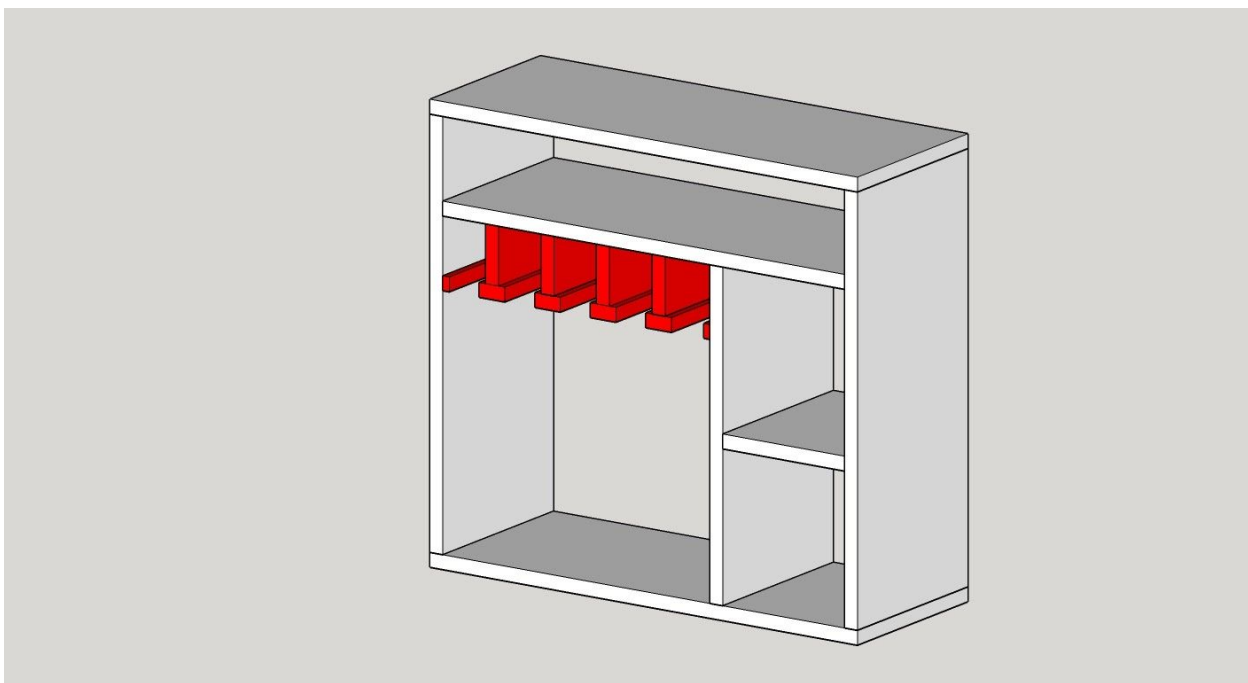
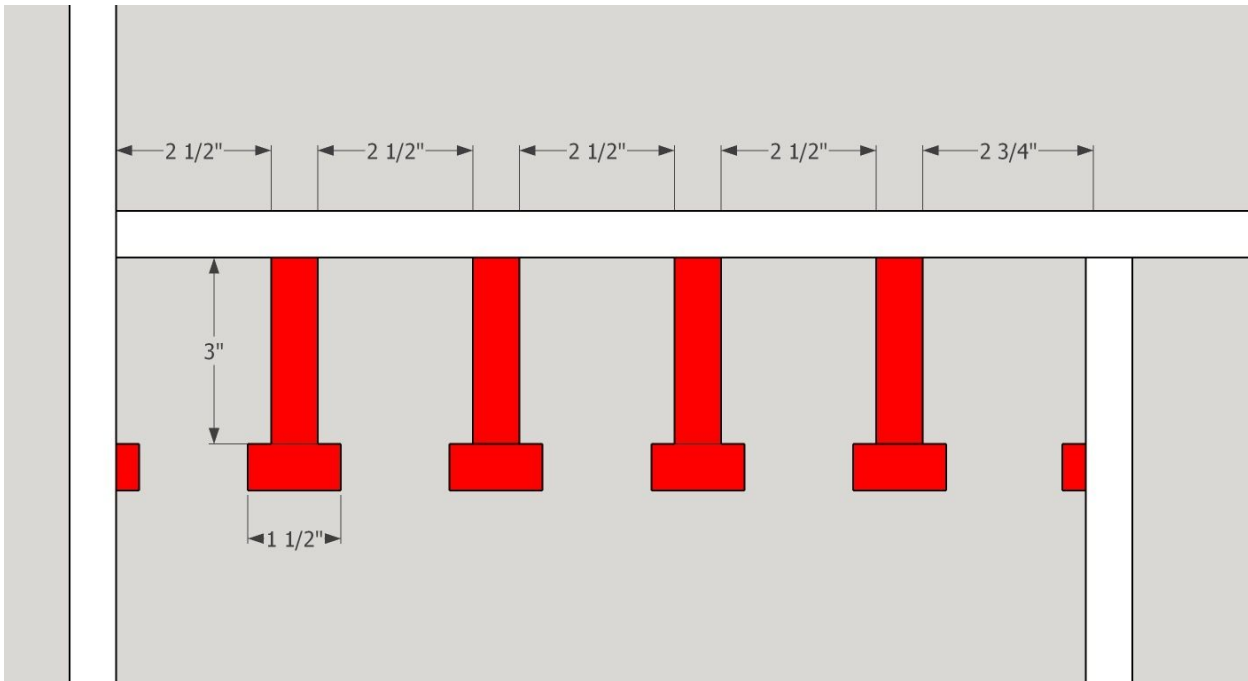


Step 3) Fit and assemble the interior dividers. *Please check top shelf spacing for your tool needs.*



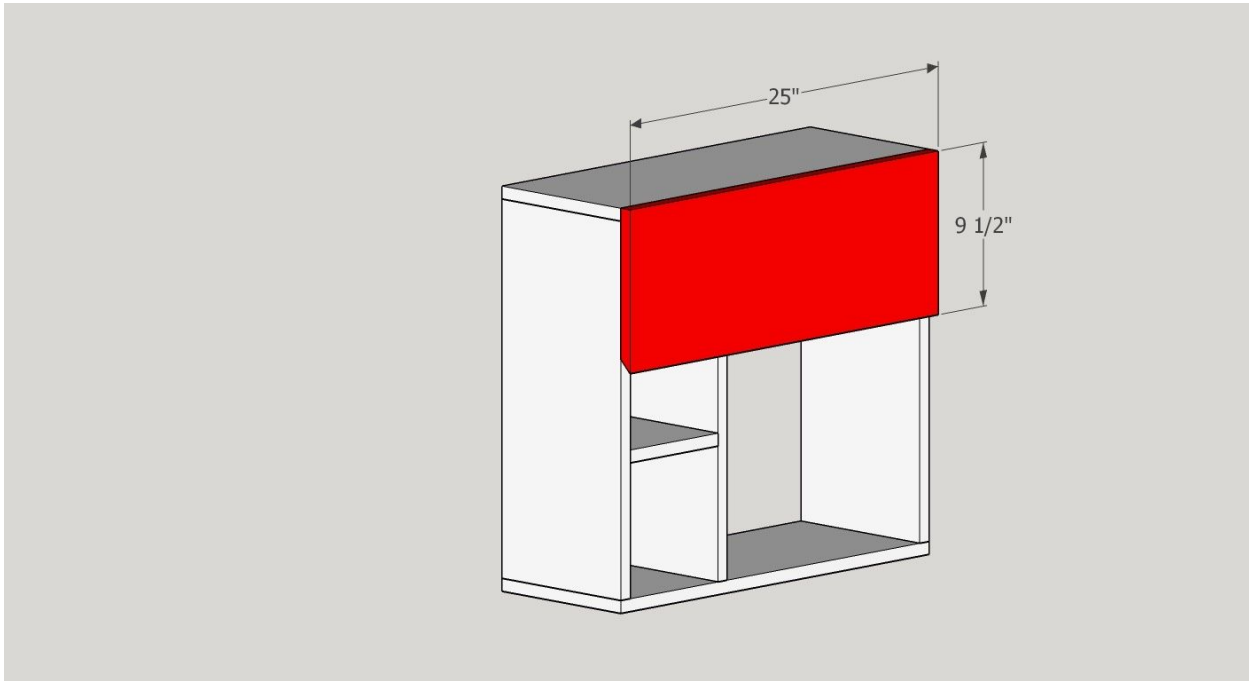
Step 4) Assemble and install drill “T” assemblies*

**Please check and customize the spacing for your tools you are building this for.*



Step 5) Attach cabinet top if you have not already

Step 6) Attach the back panel to the shelf (top half) and attach the bottom half to studs in the wall



Step 6) Finish (user choice), hang on the wall, then load with tools and enjoy!

